


XT / XTUB / XTHL

Towing Power

 Tow capacity (kg): 4000 - 5000 - 6000 - 7000 - 8000 - 10000
14000 - 16000 - 18000 - 20000

TOW TRACTORS

■ XT

The safest and easiest way to tow rolling or trailed loads up to 6000 kg! Extra stability is gained from dual sets of heavy-duty front wheels. A powerful electro-hydraulic lift operates the tow hook or hitch ball.



■ XTUB

Version with operator on board to tow four-wheel trailers; the drive with steering arm combined with the consent foot-key assure maximum safety during the handling operations.



48 o 24V AC
MOTORS

CAPACITY
UP TO
20 TONS

POWER
ASSISTED
STEERING
* only for capacity higher than 8 ton

■ XTHL

With an extra heavy-duty structure, 24V or 48V AC traction drive motor technology and a powerful hydraulic lift, the XTHL makes towing extreme loads up to 20 tons safe and easy.

Features in detail: _____



■ TOW HOOK:

Tow hooks or hitch couplings are designed specifically for the trailer or the equipment to be towed.



■ LIFTING POWER:

The lift height of the tow hook or hitch coupling is adjusted by a powerful hydraulic system designed for extremely heavy loads.



■ TOWING OF GOODS WITH WALKING OPERATOR:

Maximum versatility and manoeuvrability to tow trailed loads in tight work spaces.



■ TOWING OF GOODS WITH OPERATOR ON BOARD:

An ergonomic platform and cushioned back rest offer maximum comfort and safety for the operator while towing over long distances.

Customised Trucks:

HL towing trucks are manufactured to the customer's specific requirements. The tow hook or hitch coupling is designed according to the mass and loads to be handled.

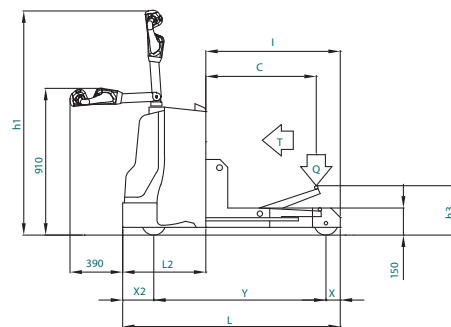
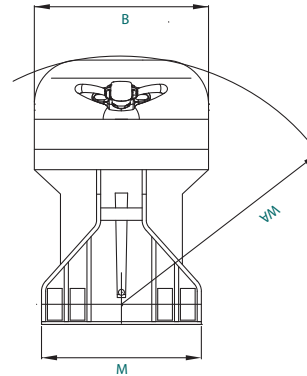


XT

model		XT 40	XT 50	XT 60
T	Kg	4000	5000	6000
Q	mm	2000	2500	3000
C	mm	700	700	700
I	mm	875	875	875
L	mm	1445	1520	1520
X	mm	130	130	130
X2	mm	210	230	230
Y	mm	1105	1160	1160
L2	mm	570	645	645
M	mm	580	580	580
h1	mm	1440	1440	1440
h3	mm	355	355	355
B	mm	750	750	750
WA	mm	1350	1420	1420

STANDARD EQUIPMENT

- Electronic battery charger 24V 20A with microprocessor (for XT 40)
- Electronic battery charger 24V 50A with microprocessor (for XT 50 and XT 60)
- Hook control by push-button
- Electric end stroke
- Electromagnetic parking brake
- Braking in release contra flow
- High-frequency electronic plant 24V with microprocessor fault research
- Exhausted battery warning-indicator
- DR-EVO Steering
- Safety components
- Traction Battery 24V from 160 Ah to 270 Ah (for XT 40)
- Traction Battery 24V from 240 Ah to 270 Ah (for XT 50 and XT 60)



XTUB

model		XTUB
T	Kg	4000
L	mm	1095
X	mm	112
X2	mm	196
Y	mm	717
L2	mm	570
M	mm	540
h1	mm	1155
B	mm	750
WA	mm	950

STANDARD EQUIPMENT

- Electronic battery charger 24V 20A with microprocessor
- Electric end stroke
- Electromagnetic parking brake
- Braking in release contra flow
- High-frequency electronic plant 24V with microprocessor fault research
- Exhausted battery warning-indicator
- Footboard for operator
- DR-EVO Steering
- Safety components
- Traction Battery 24V from 160 Ah to 270 Ah

