

STANDARD EQUIPMENT

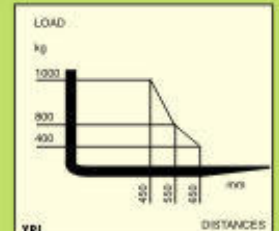
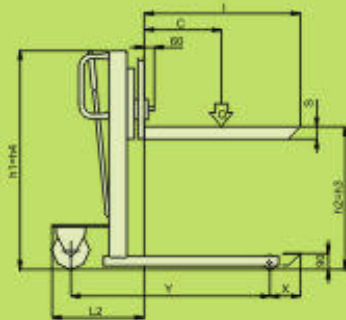
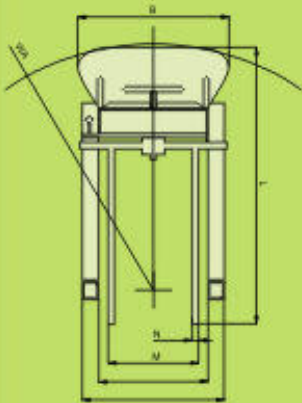
- Tilting angle from -20° to $+20^{\circ}$ (XRL)
- Lever descent (XRL)
- Fixed forks long 900 mm (XRL)
- Tilter capacity kg. 400 (XRL)
- Lifting by manual pump (without load) (XRL)
- Fixed forks long mm. 800 (XRF)
- Max. Tilting angle 85° (XRF)
- Lifting by manual double-acting pump (XRF)
- Parking brake
- Nominal capacity kg. 1000
- Chromed oleodynamic piston
- Polyurethan rollers
- Polyamide wheels with polyurethan covering
- Manual traction



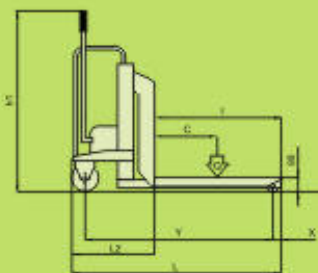
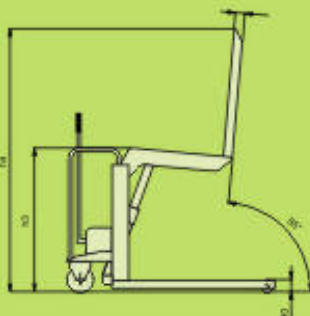
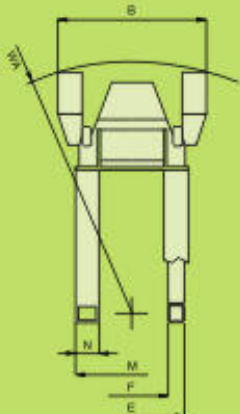
XRL



XRF



XRL
Diagram representing the position variation of the load barycenter with the variation of the scene.



model	XRL	model	XRF
Qf	kg 1000	Q	kg 1000
Qr	kg 400	C	mm 400
C	mm 450	I	mm 800
I	mm 900	L	mm 1315
L	mm 1420	X	mm 50
X	mm 176	Y	mm 1195
Y	mm 1140	L2	mm 515
L2	mm 520	M	mm 560
M	mm 445	N	mm 120
N	mm 30	h1	mm 1120
h1	mm 1230	h3	mm 900
h2	mm 800	h4	mm 1645
B	mm 755	B	mm 735
E	mm 716	E	mm 530
F	mm 548	F	mm 355
S	mm 70	S	mm 55
WA	mm 1265	WA	mm 1320
α	mm 20°		

