

XGF/XGL – MANUAL LIFT TRUCKS

For transport, lifting and tilting of drums.

With standard equipment it is included a pair of forks for pallet handling.

STANDARD EQUIPMENT

- Lifting load with forks kg. 500
- Lifting load with drum tipper 300 kg.
- Adjustable forks long mm 800
- Parking brake
- Manual drum tipper
- Chromed oleodynamic piston
- Polyurethan rollers
- Polyamide wheels with polyurethan covering
- Lifting by fast manual pump (without load)
- Lever descent
- Manual traction



XGF



XGL

INOX
AVAILABLE

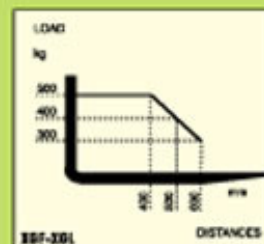
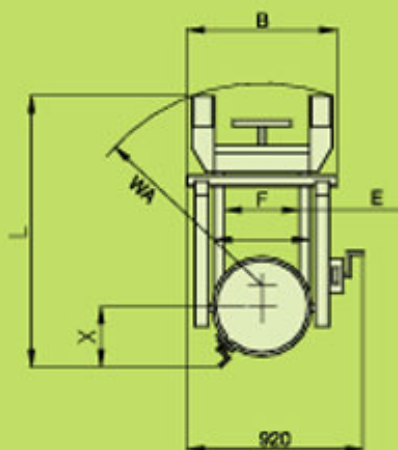
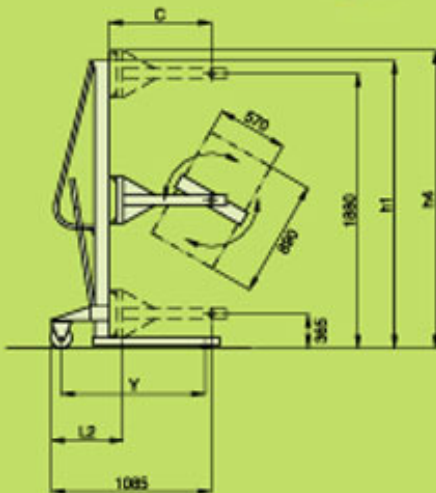


Diagram representing the positive variation of the load together with the variation of the course.

model	XGF
Q1 kg	500
Q2 kg	300
C mm	685
I mm	/
L mm	1290
X mm	435
Y mm	1115
L2 mm	585
E mm	650
F mm	250
h1 mm	1950
h2 mm	1880
h3 mm	1880
h4 mm	2000
B mm	800
WA mm	1150

