

XBM/XBR – MANUAL LIFT TRUCKS

For transport and lifting of pallets, with double acting pump for the easy lifting, with fast manual pump for the lifting of forks without load.

STANDARD EQUIPMENT

| |
|--|
| Fixed forks long 1150 mm |
| Double steering wheels with extra-heavy castors, assembled on bearings |
| Parking brake |
| Chromed oleodynamic piston |
| Polyurethan single roller |
| Rubber wheels |
| Steering rudder assembled on bearings |
| Manual traction |
| Lifting by manual double-acting pump (XBM) |
| Lifting by manual simple-acting pump (fast without load XBR) |



XBM



XBR



INOX AVAILABLE

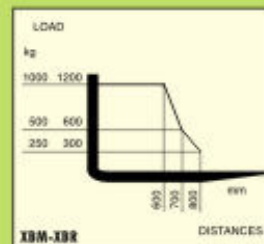
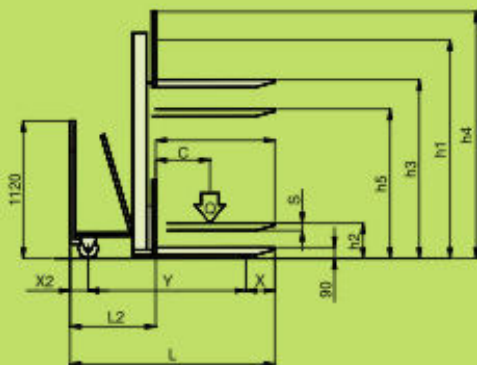
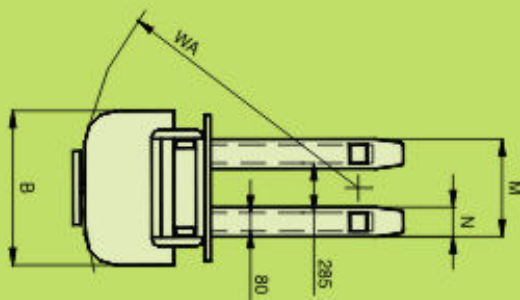


Diagram representing the position variation of the load barycenter with the variation of the scissor.

| model | XBR 1008 | XBR 1208 | XBR 1016 | XBR 1216 | XBM 1008 | XBM 1208 | XBM 1016 | XBM 1216 |
|-------|----------|----------|----------|----------|----------|----------|----------|----------|
| Q kg | 1000 | 1200 | 1000 | 1200 | 1000 | 1200 | 1000 | 1200 |
| C mm | 600 | 600 | 600 | 600 | 600 | 600 | 600 | 600 |
| I mm | 1150 | 1150 | 1150 | 1150 | 1150 | 1150 | 1150 | 1150 |
| L mm | 1755 | 1775 | 1755 | 1775 | 1755 | 1775 | 1755 | 1775 |
| X mm | 380 | 380 | 380 | 380 | 380 | 380 | 380 | 380 |
| X2 mm | 235 | 235 | 235 | 235 | 235 | 235 | 235 | 235 |
| Y mm | 1140 | 1160 | 1140 | 1160 | 1140 | 1160 | 1140 | 1160 |
| L2 mm | 600 | 620 | 600 | 620 | 600 | 620 | 600 | 620 |
| N mm | 530 | 530 | 530 | 530 | 530 | 530 | 530 | 530 |
| N mm | 160 | 160 | 160 | 160 | 160 | 160 | 160 | 160 |
| h1 mm | 1230 | 1230 | 1990 | 1990 | 1230 | 1230 | 1990 | 1990 |
| h2 mm | 800 | 800 | 1450 | 1450 | 800 | 800 | 1450 | 1450 |
| h3 mm | 800 | 800 | 1400 | 1400 | 800 | 800 | 1400 | 1400 |
| h4 mm | 1230 | 1230 | 2120 | 2120 | 1230 | 1230 | 2120 | 2120 |
| B mm | 755 | 755 | 755 | 755 | 755 | 755 | 755 | 755 |
| WA mm | 1320 | 1340 | 1320 | 1340 | 1320 | 1340 | 1320 | 1340 |

