

STANDARD EQUIPMENT

TPM/TPM F

Steering lever at three positions
Steel levers
Small rollers
Lifting by simple-acting pump
Manual traction

TPM 10 GAL

Steering lever at three positions
Forks lifting mm 800
Lifting by simple-acting pump
Manual traction

TPM PE

Electronic weighing
Lifting by simple-acting pump
Manual traction



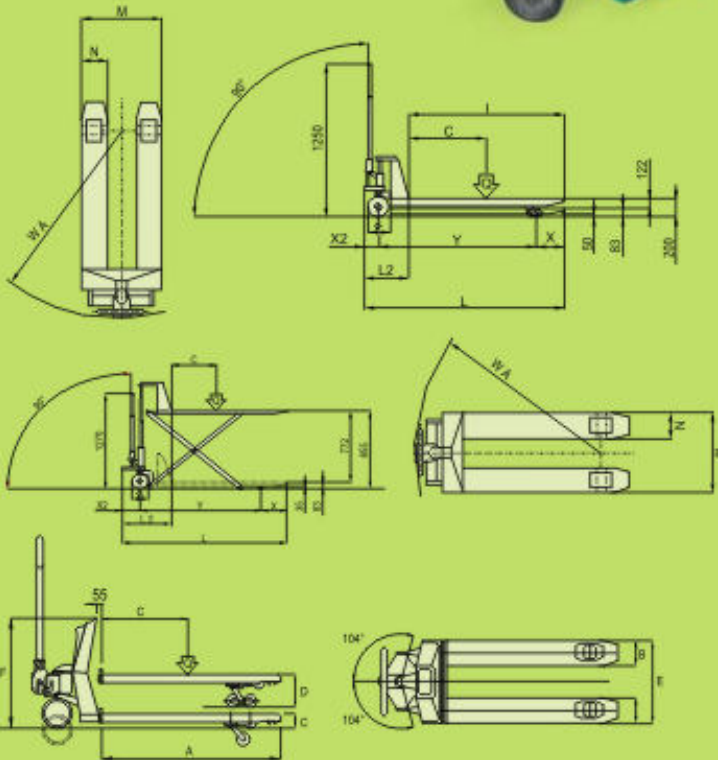
TPM



TPM 10 GAL



TPM PE



| model | TPM 20 | TPM 20 INOX | TPM 25 | TPM 30 | TPM F |
|-------|--------|-------------|--------|--------|-------|
| Q kg | 2000 | 2000 | 2500 | 3000 | 2000 |
| C mm | 600 | 600 | 600 | 600 | 600 |
| I mm | 1150 | 1150 | 1150 | 1130 | 1150 |
| L mm | 1545 | 1545 | 1545 | 1490 | 1545 |
| X mm | 215 | 215 | 215 | 230 | 215 |
| X2 mm | 135 | 135 | 135 | 110 | 135 |
| Y mm | 1195 | 1195 | 1195 | 1150 | 1195 |
| L2 mm | 395 | 395 | 395 | 360 | 395 |
| M mm | 550 | 540 | 550 | 560 | 685 |
| N mm | 160 | 160 | 160 | 180 | 160 |
| WA mm | 1330 | 1330 | 1330 | 1260 | 1330 |
| ∅ mm | 180 | 200 | 180 | 200 | 180 |

| model | TPM 10 GAL |
|-------|------------|
| Q kg | 1000 |
| C mm | 600 |
| I mm | 1150 |
| L mm | 1545 |
| X mm | 215 |
| X2 mm | 135 |
| Y mm | 1195 |
| L2 mm | 395 |
| M mm | 520 |
| N mm | 180 |
| WA mm | 1330 |
| ∅ mm | 150 |

| model | TPM PE |
|-------|--------|
| Q kg | 2200 |
| C mm | 600 |
| A mm | 1150 |
| B mm | 170 |
| C mm | 85 |
| D mm | 285 |
| E mm | 540 |
| F mm | 770 |

INOX GALVANIZED
AVAILABLE AVAILABLE

