

## XAS-XA – SEMIELECTRIC LIFT TRUCKS

With manual movement and 12v battery lifting  
(three phase electrical 220/380v lifting on demand).

### STANDARD EQUIPMENT

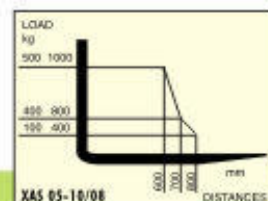
- Electronic battery charger 12V 10A with microprocessor (XAS)
- Electronic battery charger 12V 15A with microprocessor (XA)
- Battery 12V 80Ah (XAS)
- Battery 12V 155Ah (XA)
- Adjustable forks long mm. 800 (XA-XAS 0516/1016)
- Adjustable forks long mm 1150 (XAS 0508/1008)
- 200 mm. free lift (except for 3500 mm. liftings XA)
- Push-button control for forks
- Electric end stroke (XA)
- Parking brake
- Protection fuse
- Chromed oleodynamic piston
- Emergency switch-button
- Polyurethan single roller
- Polyamide wheels with polyurethan covering
- Manual traction



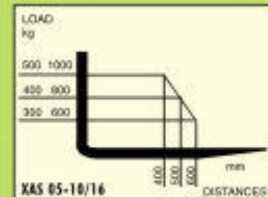
XAS0516

XAS0508

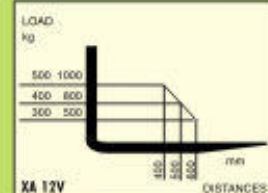
XA



XAS 05-10/08



XAS 05-10/16

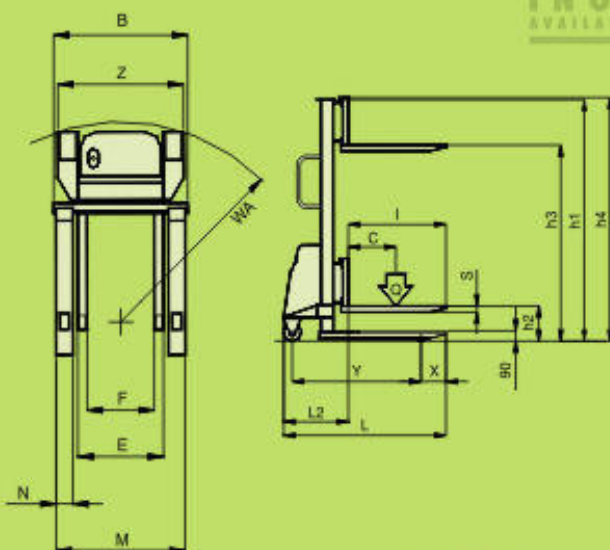


XA 12V

Diagram representing the position variation of the load barycenter with the variation of the same.



INOX AVAILABLE



model	XAS 12V 0508		XAS 12V 1008		XAS 12V 0516		XAS 12V 1016		model	XA 12V 0525		XA 12V 1025		XA 12V 0530		XA 12V 1030		XA 12V 0535		XA 12V 1035	
	Q kg	500	1000	500	1000	Q kg	500	1000		Q kg	500	1000	500	1000	500	1000	500	1000	500	1000	
C mm	600	600	400	400	400	400	400	400	400	400	400	400	400	400	400	400	400	400	400	400	
I mm	1150	1150	800	800	800	800	800	800	800	800	800	800	800	800	800	800	800	800	800	800	
L mm	1730	1730	1380	1380	1380	1380	1380	1380	1390	1410	1390	1410	1390	1410	1390	1410	1390	1410	1390	1410	
X mm	400	400	200	200	200	200	200	200	200	200	200	200	200	200	200	200	200	200	200	200	
Y mm	1270	1270	1120	1120	1120	1120	1120	1120	1135	1155	1135	1155	1135	1155	1135	1155	1135	1155	1135	1155	
L2 mm	580	580	580	580	580	580	580	580	585	605	585	605	585	605	585	605	585	605	585	605	
M mm	200/800	240/800	200/800	240/800	200/800	240/800	200/800	240/800	240/800	240/800	240/800	240/800	240/800	240/800	240/800	240/800	240/800	240/800	240/800	240/800	240/800
N mm	100	120	100	120	100	120	100	120	120	120	120	120	120	120	120	120	120	120	120	120	120
h1 mm	1230	1230	1990	1990	1990	1990	1990	1990	1750	1750	1990	1990	1990	1990	2250	2250	2250	2250	2250	2250	
h2 mm	800	800	1600	1600	1600	1600	1600	1600	200	200	200	200	200	200	/	/	/	/	/	/	
h3 mm	800	800	1600	1600	1600	1600	1600	1600	2500	2500	2090	2090	2090	2090	3500	3500	3500	3500	3500	3500	
h4 mm	1240	1240	2000	2000	2000	2000	2000	2000	2920	2920	3420	3420	3420	3420	3920	3920	3920	3920	3920	3920	
B mm	800	800	800	800	800	800	800	800	800	800	800	800	800	800	800	800	800	800	800	800	800
E mm	520	530	520	530	520	530	520	530	525	525	525	525	525	525	525	525	525	525	525	525	
F mm	485	350	485	350	485	350	485	350	355	355	355	355	355	355	355	355	355	355	355	355	
S mm	50	55	50	55	50	55	50	55	50	55	50	55	50	55	50	55	50	55	50	55	
Z mm	745	735	745	735	745	735	745	735	800	800	800	800	800	800	1000	1000	1000	1000	1000	1000	
WA mm	1300	1330	1135	1135	1135	1135	1135	1135	1200	1220	1200	1220	1200	1220	1200	1220	1200	1220	1200	1220	

